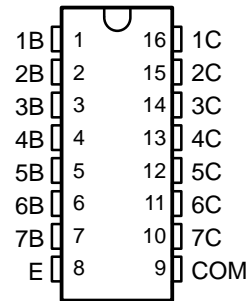


HIGH-VOLTAGE HIGH-CURRENT DARLINGTON TRANSISTOR ARRAYS

- 500-mA Rated Collector Current (Single Output)
- High-Voltage Outputs . . . 50 V
- Output Clamp Diodes
- Inputs Compatible With Various Types of Logic
- Relay Driver Applications
- Designed to Be Interchangeable With Sprague ULN2001A Series

D OR N PACKAGE
(TOP VIEW)

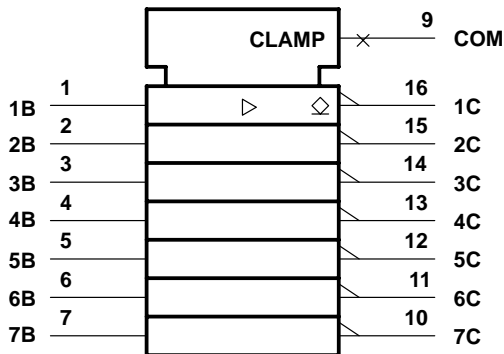


description

The ULN2001A, ULN2002A, ULN2003A, ULN2004A, ULQ2003A, and ULQ2004A are monolithic high-voltage, high-current Darlington transistor arrays. Each consists of seven npn Darlington pairs that feature high-voltage outputs with common-cathode clamp diodes for switching inductive loads. The collector-current rating of a single Darlington pair is 500 mA. The Darlington pairs may be paralleled for higher current capability. Applications include relay drivers, hammer drivers, lamp drivers, display drivers (LED and gas discharge), line drivers, and logic buffers. For 100-V (otherwise interchangeable) versions, see the SN75465 through SN75469.

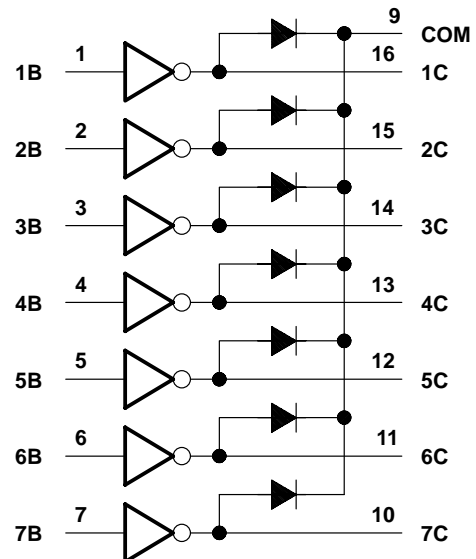
The ULN2001A is a general-purpose array and can be used with TTL and CMOS technologies. The ULN2002A is specifically designed for use with 14- to 25-V PMOS devices. Each input of this device has a zener diode and resistor in series to control the input current to a safe limit. The ULN2003A and ULQ2003A have a 2.7-kΩ series base resistor for each Darlington pair for operation directly with TTL or 5-V CMOS devices. The ULN2004A and ULQ2004A have a 10.5-kΩ series base resistor to allow operation directly from CMOS devices that use supply voltages of 6 to 15 V. The required input current of the ULN/ULQ2004A is below that of the ULN/ULQ2003A, and the required voltage is less than that required by the ULN2002A.

logic symbol†



† This symbol is in accordance with ANSI/IEEE Std 91-1984 and IEC Publication 617-12.

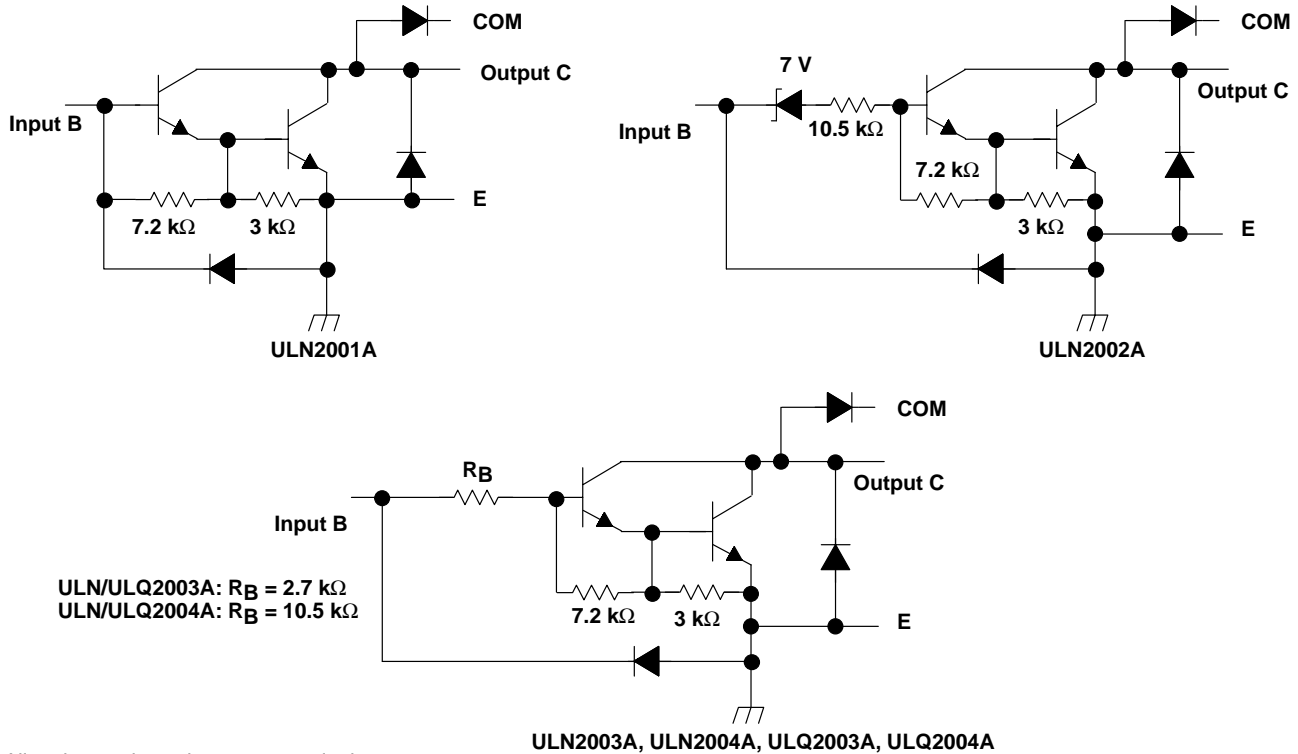
logic diagram



ULN2001A, ULN2002A, ULN2003A, ULN2004A, ULQ2003A, ULQ2004A DARLINGTON TRANSISTOR ARRAY

SLRS027B – DECEMBER 1976 – REVISED APRIL 2002

schematics (each Darlington pair)



All resistor values shown are nominal.

absolute maximum ratings at 25°C free-air temperature (unless otherwise noted)

Collector-emitter voltage	50 V
Clamp diode reverse voltage (see Note 1)	50 V
Input voltage, V_I (see Note 1)	30 V
Peak collector current (see Figures 14 and 15)	500 mA
Output clamp current, I_{OK}	500 mA
Total emitter-terminal current	-2.5 A
Continuous total power dissipation	See Dissipation Rating Table
Operating free-air temperature range, T_A , ULN200xA	-20°C to 70°C
ULQ200xA	-40°C to 85°C
Storage temperature range, T_{stg}	-65°C to 150°C
Lead temperature 1,6 mm (1/16 inch) from case for 10 seconds	260°C

NOTE 1: All voltage values are with respect to the emitter/substrate terminal E, unless otherwise noted.

DISSIPATION RATING TABLE

PACKAGE	$T_A = 25^\circ\text{C}$ POWER RATING	DERATING FACTOR ABOVE $T_A = 25^\circ\text{C}$	$T_A = 85^\circ\text{C}$ POWER RATING
D	950 mW	7.6 mW/°C	494 mW
N	1150 mW	9.2 mW/°C	598 mW

ULN2001A, ULN2002A, ULN2003A, ULN2004A,
ULQ2003A, ULQ2004A

DARLINGTON TRANSISTOR ARRAY

SLRS027B – DECEMBER 1976 – REVISED APRIL 2002

electrical characteristics, $T_A = 25^\circ\text{C}$ (unless otherwise noted)

PARAMETER	TEST FIGURE	TEST CONDITIONS	ULN2001A			ULN2002A			UNIT
			MIN	TYP	MAX	MIN	TYP	MAX	
$V_{I(\text{on})}$	On-state input voltage	6	$V_{CE} = 2\text{ V}, I_C = 300\text{ mA}$			13			V
$V_{CE(\text{sat})}$	Collector-emitter saturation voltage	5	$I_I = 250\ \mu\text{A}, I_C = 100\text{ mA}$			0.9 1.1			V
			$I_I = 350\ \mu\text{A}, I_C = 200\text{ mA}$			1 1.3			
			$I_I = 500\ \mu\text{A}, I_C = 350\text{ mA}$			1.2 1.6			
V_F	Clamp forward voltage	8	$I_F = 350\text{ mA}$			1.7 2			V
I_{CEX}	Collector cutoff current	1	$V_{CE} = 50\text{ V}, I_I = 0$			50			μA
		2	$V_{CE} = 50\text{ V}, T_A = 70^\circ\text{C}, V_I = 6\text{ V}, I_I = 0$			100			
$I_{I(\text{off})}$	Off-state input current	3	$V_{CE} = 50\text{ V}, T_A = 70^\circ\text{C}, I_C = 500\ \mu\text{A}$			50 65			μA
I_I	Input current	4	$V_I = 17\text{ V}$			0.82 1.25			mA
I_R	Clamp reverse current	7	$V_R = 50\text{ V}, T_A = 70^\circ\text{C}$			100			μA
			$V_R = 50\text{ V}$			50			
h_{FE}	Static forward current transfer ratio	5	$V_{CE} = 2\text{ V}, I_C = 350\text{ mA}$			1000			
C_i	Input capacitance		$V_I = 0, f = 1\text{ MHz}$			15 25			pF

electrical characteristics, $T_A = 25^\circ\text{C}$ (unless otherwise noted)

PARAMETER	TEST FIGURE	TEST CONDITIONS	ULN2003A			ULN2004A			UNIT	
			MIN	TYP	MAX	MIN	TYP	MAX		
$V_{I(\text{on})}$	On-state input voltage	6	$V_{CE} = 2\text{ V}$	$I_C = 125\text{ mA}$			5			V
				$I_C = 200\text{ mA}$			2.4			
				$I_C = 250\text{ mA}$			2.7			
				$I_C = 275\text{ mA}$			7			
				$I_C = 300\text{ mA}$			3			
				$I_C = 350\text{ mA}$			8			
$V_{CE(\text{sat})}$	Collector-emitter saturation voltage	5	$I_I = 250\ \mu\text{A}, I_C = 100\text{ mA}$			0.9 1.1			V	
			$I_I = 350\ \mu\text{A}, I_C = 200\text{ mA}$			1 1.3				
			$I_I = 500\ \mu\text{A}, I_C = 350\text{ mA}$			1.2 1.6				
I_{CEX}	Collector cutoff current	1	$V_{CE} = 50\text{ V}, I_I = 0$			50			μA	
		2	$V_{CE} = 50\text{ V}, T_A = 70^\circ\text{C}, V_I = 1\text{ V}, I_I = 0$			100				
V_F	Clamp forward voltage	8	$I_F = 350\text{ mA}$			1.7 2			V	
$I_{I(\text{off})}$	Off-state input current	3	$V_{CE} = 50\text{ V}, T_A = 70^\circ\text{C}, I_C = 500\ \mu\text{A}$			50 65			μA	
I_I	Input current	4	$V_I = 3.85\text{ V}$			0.93 1.35			mA	
			$V_I = 5\text{ V}$			0.35 0.5				
			$V_I = 12\text{ V}$			1 1.45				
I_R	Clamp reverse current	7	$V_R = 50\text{ V}$			50			μA	
			$V_R = 50\text{ V}, T_A = 70^\circ\text{C}$			100				
C_i	Input capacitance		$V_I = 0, f = 1\text{ MHz}$			15 25			pF	



**ULN2001A, ULN2002A, ULN2003A, ULN2004A,
ULQ2003A, ULQ2004A
DARLINGTON TRANSISTOR ARRAY**

SLRS027B – DECEMBER 1976 – REVISED APRIL 2002

electrical characteristics over recommended operating conditions (unless otherwise noted)

PARAMETER	TEST FIGURE	TEST CONDITIONS		ULQ2003A			ULQ2004A			UNIT
				MIN	TYP	MAX	MIN	TYP	MAX	
V _{I(on)} On-state input voltage	6	V _{CE} = 2 V	I _C = 125 mA						5	V
			I _C = 200 mA						6	
			I _C = 250 mA						2.7	
			I _C = 275 mA						2.9	
			I _C = 300 mA						3	
			I _C = 350 mA						7	
									8	
V _{CE(sat)} Collector-emitter saturation voltage	5	I _I = 250 μA, I _C = 100 mA		0.9	1.2		0.9	1.1	V	
		I _I = 350 μA, I _C = 200 mA		1	1.4		1	1.3		
		I _I = 500 μA, I _C = 350 mA		1.2	1.7		1.2	1.6		
I _{CEX} Collector cutoff current	1	V _{CE} = 50 V, I _I = 0						100	μA	
	2	V _{CE} = 50 V, I _I = 0, V _I = 1 V						500		
V _F Clamp forward voltage	8	I _F = 350 mA		1.7	2.2		1.7	2	V	
I _{I(off)} Off-state input current	3	V _{CE} = 50 V, I _C = 500 μA	30	65		50	65		μA	
I _I Input current	4	V _I = 3.85 V		0.93	1.35				mA	
		V _I = 5 V					0.35	0.5		
		V _I = 12 V					1	1.45		
I _R Clamp reverse current	7	V _R = 50 V, T _A = 25°C			100			50	μA	
		V _R = 50 V			100			100		
C _i Input capacitance		V _I = 0, f = 1 MHz		15	25		15	25	pF	

switching characteristics, T_A = 25°C

PARAMETER	TEST CONDITIONS	ULN2001A, ULN2002A, ULN2003A, ULN2004A			UNIT
		MIN	TYP	MAX	
t _{PLH} Propagation delay time, low-to-high-level output	See Figure 9		0.25	1	μs
t _{PHL} Propagation delay time, high-to-low-level output			0.25	1	μs
V _{OH} High-level output voltage after switching	V _S = 50 V, I _O ≈ 300 mA, See Figure 10		V _S - 20		mV

switching characteristics over recommended operating conditions (unless otherwise noted)

PARAMETER	TEST CONDITIONS	ULQ2003A, ULQ2004A			UNIT
		MIN	TYP	MAX	
t _{PLH} Propagation delay time, low-to-high-level output	See Figure 9		1	10	μs
t _{PHL} Propagation delay time, high-to-low-level output			1	10	μs
V _{OH} High-level output voltage after switching	V _S = 50 V, I _O ≈ 300 mA, See Figure 10		V _S - 500		mV



PARAMETER MEASUREMENT INFORMATION

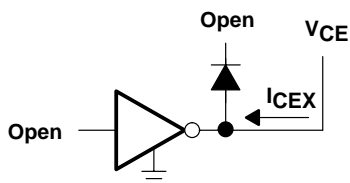


Figure 1. I_{CEX} Test Circuit

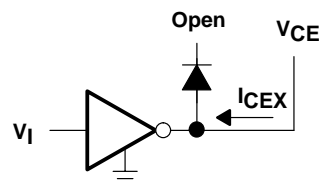


Figure 2. I_{CEX} Test Circuit

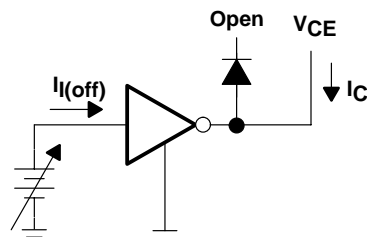


Figure 3. $I_{I(off)}$ Test Circuit

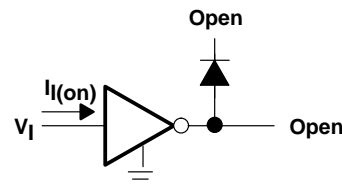
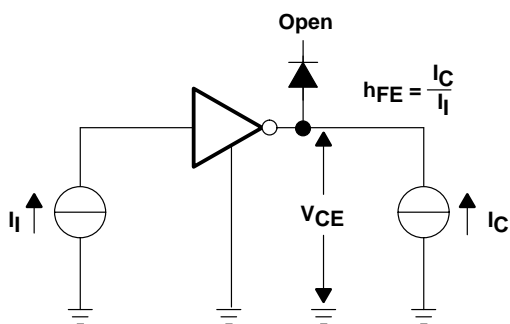


Figure 4. I_I Test Circuit



NOTE: I_I is fixed for measuring $V_{CE(sat)}$, variable for measuring h_{FE} .

Figure 5. h_{FE} , $V_{CE(sat)}$ Test Circuit

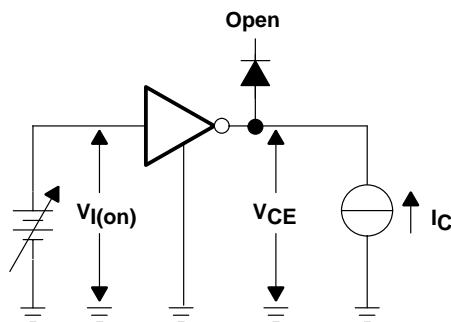


Figure 6. $V_{I(on)}$ Test Circuit

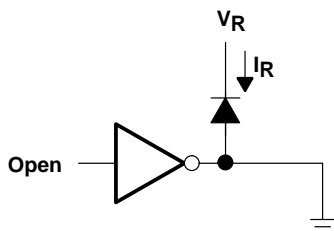


Figure 7. I_R Test Circuit

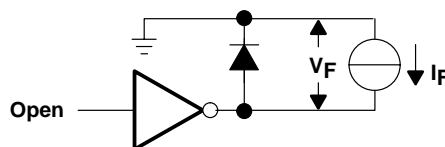


Figure 8. V_F Test Circuit

**ULN2001A, ULN2002A, ULN2003A, ULN2004A,
ULQ2003A, ULQ2004A
DARLINGTON TRANSISTOR ARRAY**

SLRS027B – DECEMBER 1976 – REVISED APRIL 2002

PARAMETER MEASUREMENT INFORMATION

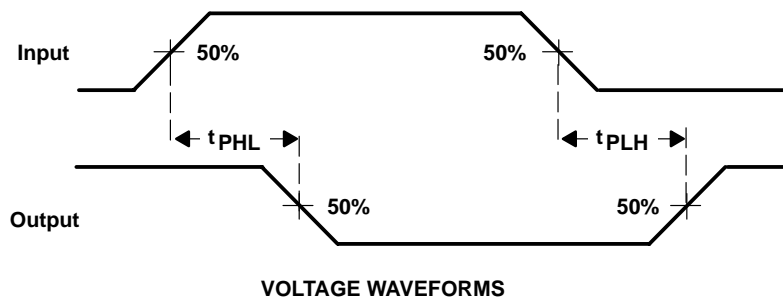
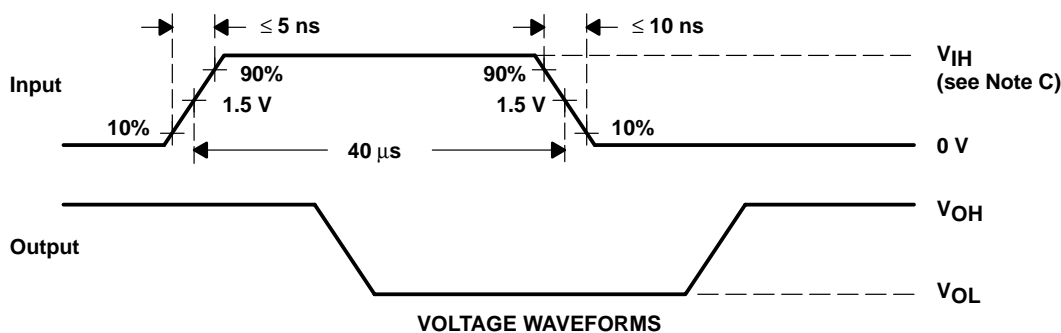
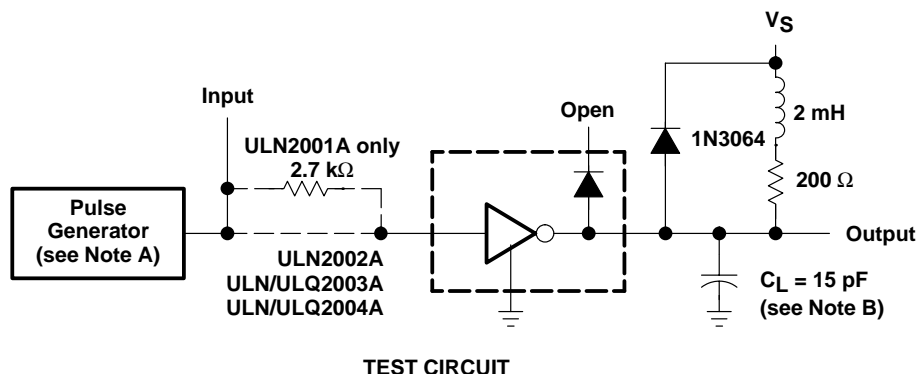


Figure 9. Propagation Delay Time Waveforms



- NOTES: A. The pulse generator has the following characteristics: PRR = 12.5 kHz, $Z_O = 50 \Omega$.
 B. C_L includes probe and jig capacitance.
 C. For testing the ULN2001A, the ULN2003A, and the ULQ2003A, $V_{IH} = 3 \text{ V}$; for the ULN2002A, $V_{IH} = 13 \text{ V}$; for the ULN2004A and the ULQ2004A, $V_{IH} = 8 \text{ V}$.

Figure 10. Latch-Up Test Circuit and Voltage Waveforms

TYPICAL CHARACTERISTICS

COLLECTOR-EMITTER SATURATION VOLTAGE vs COLLECTOR CURRENT (ONE DARLINGTON)

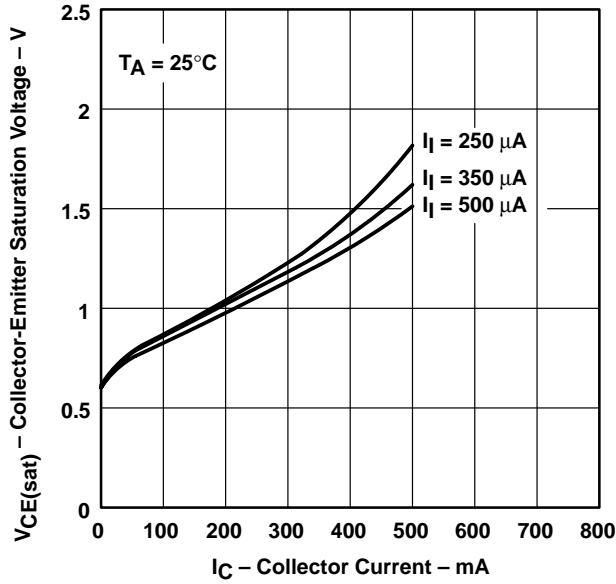


Figure 11

COLLECTOR-EMITTER SATURATION VOLTAGE vs TOTAL COLLECTOR CURRENT (TWO DARLINGTONS PARALLELED)

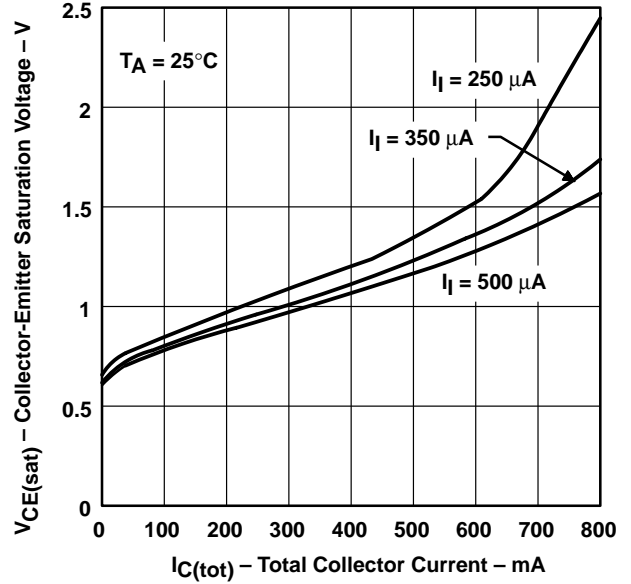


Figure 12

COLLECTOR CURRENT vs INPUT CURRENT

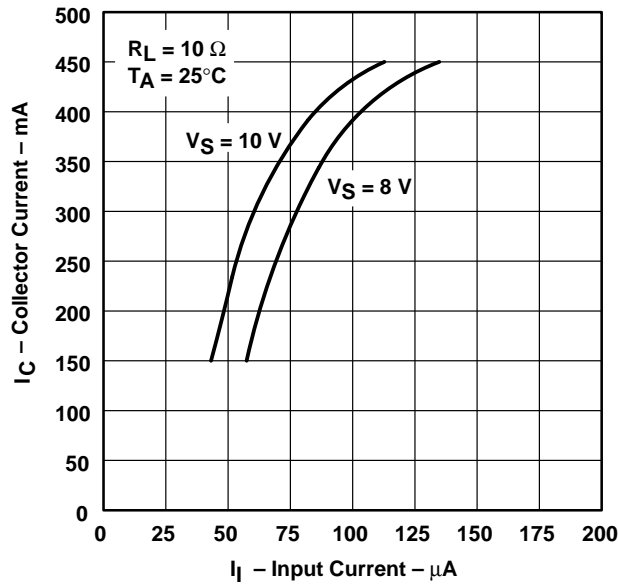


Figure 13

THERMAL INFORMATION

**D PACKAGE
 MAXIMUM COLLECTOR CURRENT
 vs
 DUTY CYCLE**

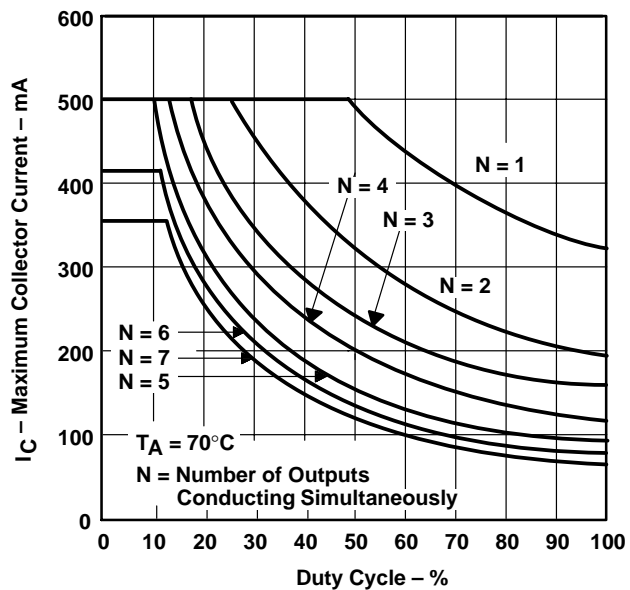


Figure 14

**N PACKAGE
 MAXIMUM COLLECTOR CURRENT
 vs
 DUTY CYCLE**

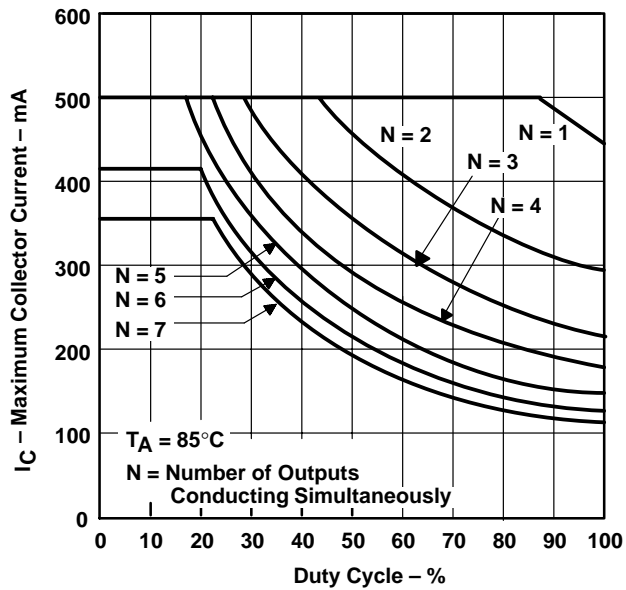


Figure 15

APPLICATION INFORMATION

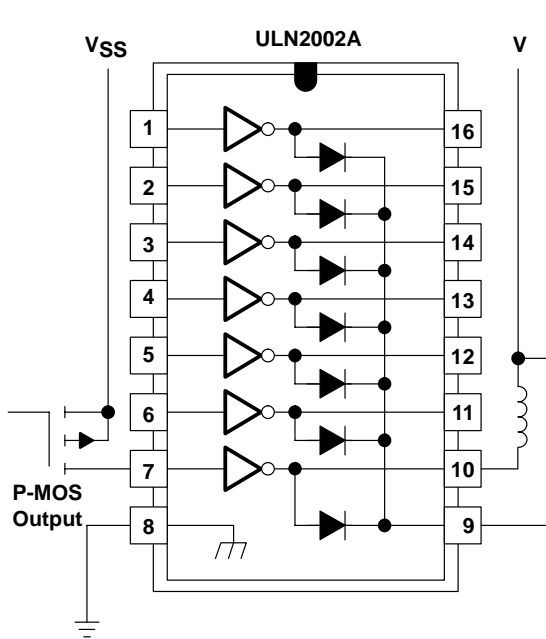


Figure 16. P-MOS to Load

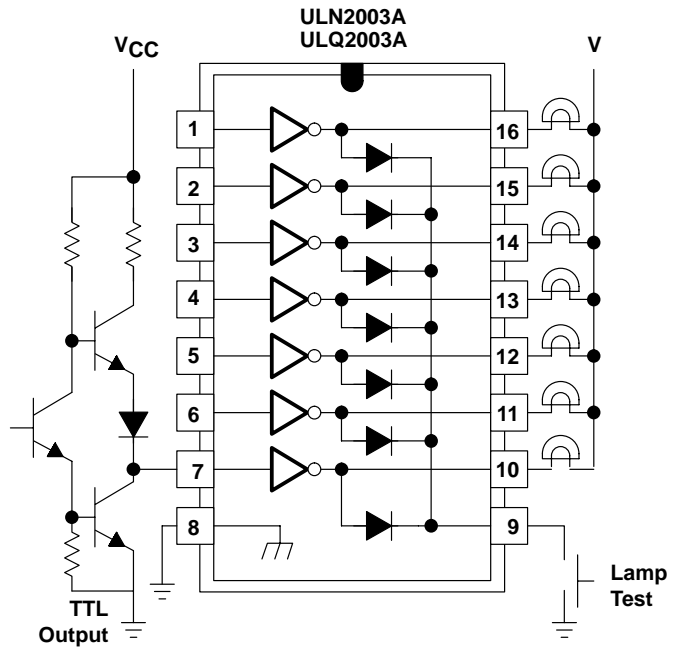


Figure 17. TTL to Load

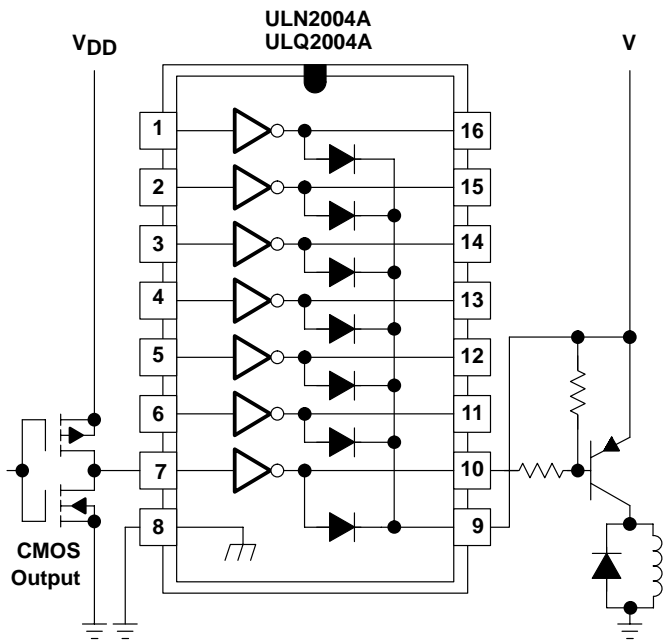


Figure 18. Buffer for Higher Current Loads

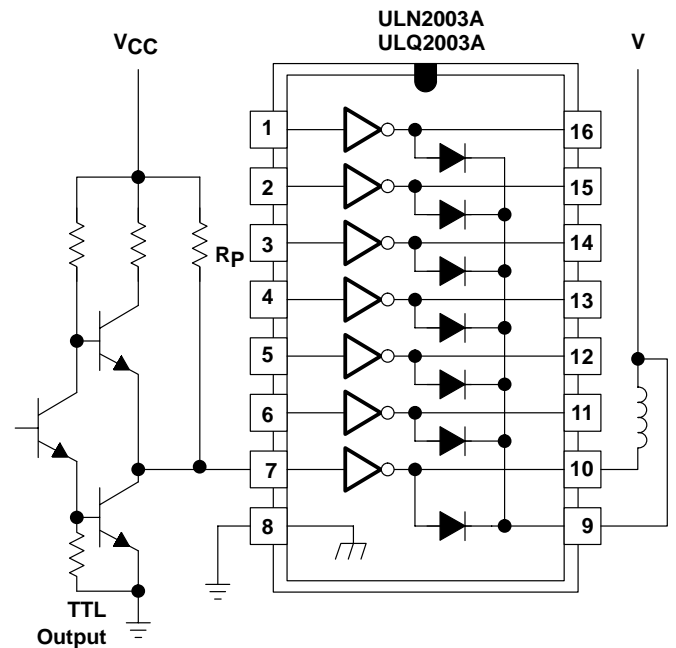


Figure 19. Use of Pullup Resistors to Increase Drive Current

IMPORTANT NOTICE

Texas Instruments Incorporated and its subsidiaries (TI) reserve the right to make corrections, modifications, enhancements, improvements, and other changes to its products and services at any time and to discontinue any product or service without notice. Customers should obtain the latest relevant information before placing orders and should verify that such information is current and complete. All products are sold subject to TI's terms and conditions of sale supplied at the time of order acknowledgment.

TI warrants performance of its hardware products to the specifications applicable at the time of sale in accordance with TI's standard warranty. Testing and other quality control techniques are used to the extent TI deems necessary to support this warranty. Except where mandated by government requirements, testing of all parameters of each product is not necessarily performed.

TI assumes no liability for applications assistance or customer product design. Customers are responsible for their products and applications using TI components. To minimize the risks associated with customer products and applications, customers should provide adequate design and operating safeguards.

TI does not warrant or represent that any license, either express or implied, is granted under any TI patent right, copyright, mask work right, or other TI intellectual property right relating to any combination, machine, or process in which TI products or services are used. Information published by TI regarding third-party products or services does not constitute a license from TI to use such products or services or a warranty or endorsement thereof. Use of such information may require a license from a third party under the patents or other intellectual property of the third party, or a license from TI under the patents or other intellectual property of TI.

Reproduction of information in TI data books or data sheets is permissible only if reproduction is without alteration and is accompanied by all associated warranties, conditions, limitations, and notices. Reproduction of this information with alteration is an unfair and deceptive business practice. TI is not responsible or liable for such altered documentation.

Resale of TI products or services with statements different from or beyond the parameters stated by TI for that product or service voids all express and any implied warranties for the associated TI product or service and is an unfair and deceptive business practice. TI is not responsible or liable for any such statements.

Mailing Address:

Texas Instruments
Post Office Box 655303
Dallas, Texas 75265